

# SECTION **BRC**

## BRAKE CONTROL SYSTEM

A  
B  
C  
D  
E

### CONTENTS

<b>ABS</b>		
<b>PRECAUTIONS</b> .....	<b>2</b>	
Precautions for Supplemental Restraint System (SRS) "AIR BAG" and "SEAT BELT PRE-TENSIONER" .....	2	
Precautions for Brake System .....	2	
Precautions When Using CONSULT-II .....	2	
CHECK POINTS FOR USING CONSULT-II .....	2	
Precautions for Brake Control .....	3	
Precautions for CAN System .....	3	
<b>PREPARATION</b> .....	<b>4</b>	
Special Service Tools .....	4	
Commercial Service Tools .....	4	
<b>SYSTEM DESCRIPTION</b> .....	<b>5</b>	
System Components .....	5	
ABS Function .....	5	
EBD Function .....	5	
Fail-Safe Function .....	6	
ABS/EBD SYSTEM .....	6	
Hydraulic Circuit Diagram .....	6	
<b>CAN COMMUNICATION</b> .....	<b>7</b>	
System Description .....	7	
<b>TROUBLE DIAGNOSIS</b> .....	<b>8</b>	
How to Perform Trouble Diagnoses for Quick and Accurate Repair .....	8	
INTRODUCTION .....	8	
WORK FLOW .....	9	
CLARIFY CONCERN .....	10	
EXAMPLE OF DIAGNOSIS SHEET .....	10	
Component Parts and Harness Connector Location .....	11	
Schematic .....	12	
Wiring Diagram — ABS — .....	13	
Basic Inspection .....	17	
BRAKE FLUID LEVEL, FLUID LEAK, AND BRAKE PAD INSPECTION .....	17	
POWER SYSTEM TERMINAL LOOSENESS		
AND BATTERY INSPECTION .....	17	
ABS WARNING LAMP INSPECTION .....	17	
Warning Lamp and Indicator Timing .....	18	
Control Unit Input/Output Signal Standard .....	18	
REFERENCE VALUE FROM CONSULT-II .....	18	
CONSULT-II Function (ABS) .....	20	
CONSULT-II START PROCEDURE .....	20	
SELF-DIAGNOSIS .....	20	
DATA MONITOR .....	22	
ACTIVE TEST .....	24	
<b>TROUBLE DIAGNOSIS FOR SELF-DIAGNOSTIC ITEMS</b> .....	<b>25</b>	
Wheel Sensor System .....	25	
ABS Control Unit Inspection .....	26	
Solenoid Valve System Inspection .....	27	
Actuator Motor, Motor Relay, and Circuit Inspection .....	28	
ABS Control Unit Power and Ground Systems Inspection .....	29	
CAN Communication System Inspection .....	29	
<b>TROUBLE DIAGNOSES FOR SYMPTOMS</b> .....	<b>30</b>	
ABS Works Frequently .....	30	
Unexpected Pedal Action .....	31	
Long Stopping Distance .....	32	
ABS Does Not Work .....	32	
Pedal Vibration or ABS Operation Noise .....	32	
<b>WHEEL SENSORS</b> .....	<b>33</b>	
Removal and Installation .....	33	
REMOVAL .....	33	
INSTALLATION .....	33	
<b>SENSOR ROTOR</b> .....	<b>35</b>	
Removal and Installation .....	35	
<b>ACTUATOR AND ELECTRIC UNIT (ASSEMBLY)</b> ...	<b>36</b>	
Removal and Installation .....	36	
REMOVAL .....	36	
INSTALLATION .....	37	

BRC

G  
H  
I  
J  
K  
L  
M

## PRECAUTIONS

PFP:00001

### Precautions for Supplemental Restraint System (SRS) “AIR BAG” and “SEAT BELT PRE-TENSIONER”

EFS006L7

The Supplemental Restraint System such as “AIR BAG” and “SEAT BELT PRE-TENSIONER”, used along with a front seat belt, helps to reduce the risk or severity of injury to the driver and front passenger for certain types of collision. This system includes seat belt switch inputs and dual stage front air bag modules. The SRS system uses the seat belt switches to determine the front air bag deployment, and may only deploy one front air bag, depending on the severity of a collision and whether the front occupants are belted or unbelted. Information necessary to service the system safely is included in the SRS and SB section of this Service Manual.

**WARNING:**

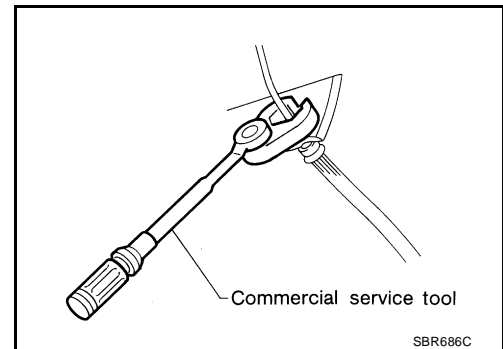
- To avoid rendering the SRS inoperative, which could increase the risk of personal injury or death in the event of a collision which would result in air bag inflation, all maintenance must be performed by an authorized NISSAN/INFINITI dealer.
- Improper maintenance, including incorrect removal and installation of the SRS, can lead to personal injury caused by unintentional activation of the system. For removal of Spiral Cable and Air Bag Module, see the SRS section.
- Do not use electrical test equipment on any circuit related to the SRS unless instructed to in this Service Manual. SRS wiring harnesses can be identified by yellow and/or orange harnesses or harness connectors.

### Precautions for Brake System

EFS006L8

**CAUTION:**

- Refer to [MA-11. "RECOMMENDED FLUIDS AND LUBRICANTS"](#) for recommended brake fluid.
- Never reuse drained brake fluid.
- Be careful not to splash brake fluid on painted areas; it may cause paint damage. If brake fluid is splashed on painted areas, wash it away with water immediately.
- To clean or wash all parts of master cylinder and disc brake caliper, use clean brake fluid.
- Never use mineral oils such as gasoline or kerosene. They will ruin rubber parts of the hydraulic system.
- Use flare nut wrench when removing and installing brake tube.
- If a brake fluid leak is found, the part must be disassembled without fail. Then it has to be replaced with a new one if a defect exists.
- Turn the ignition switch OFF and remove the connector of the ABS actuator and electric unit (control unit) or the battery terminal before performing the work.
- Always torque brake lines when installing.
- Burnish the brake contact surfaces after refinishing or replacing rotors, after replacing pads, or if a soft pedal occurs at very low mileage. Refer to [BR-29. "Brake Burnishing Procedure"](#).



**WARNING:**

- Clean brake pads and shoes with a waste cloth, then wipe with a dust collector.

### Precautions When Using CONSULT-II

EFS006L9

When connecting CONSULT-II to data link connector, connect them through CONSULT-II CONVERTER.

**CAUTION:**

If CONSULT-II is used with no connection of CONSULT-II CONVERTER, malfunctions might be detected in self-diagnosis depending on control unit which carries out CAN communication.

#### CHECK POINTS FOR USING CONSULT-II

1. Has CONSULT-II been used without connecting CONSULT-II CONVERTER on this vehicle?
  - If YES, GO TO 2.
  - If NO, GO TO 5.

# PRECAUTIONS

[ABS]

2. Are there any self-diagnostic items, other than those relating to CAN communication system, in the self-diagnosis results?
  - If YES, GO TO 3.
  - If NO, GO TO 4.
3. Based on self-diagnosis results unrelated to CAN communication, carry out the inspection.
4. Malfunctions may be detected in self-diagnosis depending on control units carrying out CAN communication. Therefore, erase the self-diagnosis results.
5. Diagnose CAN communication system. Refer to [LAN-44, "TROUBLE DIAGNOSIS"](#).

## Precautions for Brake Control

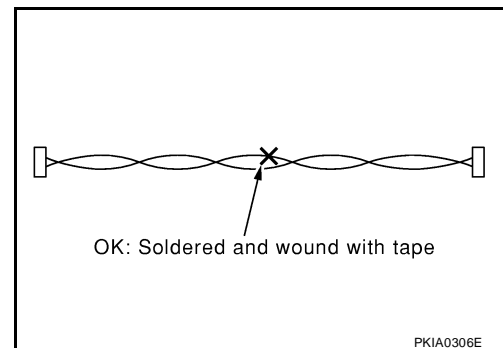
EFS006LA

- During ABS operation, the brake pedal may vibrate lightly and a mechanical noise may be heard. This is normal.
- Just after starting the vehicle, the brake pedal may vibrate or motor operating noises may be heard from engine compartment. This is normal due to the self check operation.
- Stopping distance may be longer than that of vehicles without ABS when vehicle drives on rough, gravel, or snow-covered (fresh, deep snow) roads.
- When an error is indicated by ABS or another warning lamp, collect all necessary information from customer (what symptoms are present under what conditions) and check for simple causes before starting diagnosis. Besides electrical system inspection, check brake booster operation, brake fluid level, and fluid leaks.
- If incorrect tire sizes or types are installed on the vehicle or brake pads are not Genuine NISSAN parts, stopping distance or steering stability may deteriorate.
- If there is a radio, antenna or related wiring near the control module, ABS function may have a malfunction or error.
- If aftermarket parts (car stereo, CD player, etc.) have been installed, check for incidents such as harness pinches, open circuits or improper wiring.

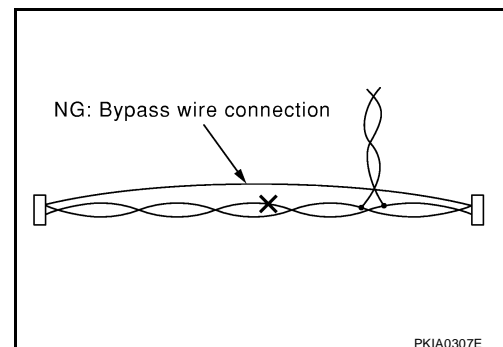
## Precautions for CAN System

EFS006LB

- Do not apply voltage of 7.0V or higher to terminal to be measured.
- Maximum open terminal voltage of tester in use must be less than 7.0V.
- Before checking harnesses, turn ignition switch OFF and disconnect battery negative cable.
- Area to be repaired must be soldered and wrapped with tape. Make sure that fraying of twisted wire is within 110 mm (4.33 in).



- Do not make a bypass connection to repaired area. (If the circuit is bypassed, characteristics of twisted wire will be lost.)



# PREPARATION

[ABS]

## PREPARATION

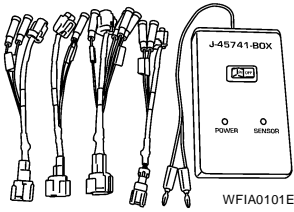
PFP:00002

### Special Service Tools

EFS006M7

The actual shapes of Kent-Moore tools may differ from those of special service tools illustrated here.

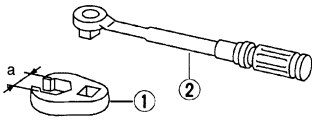
Tool number (Kent-Moore No.) Tool name	Description
KV991J0080 (J-45741) ABS active wheel sensor tester	Checking operation of ABS active wheel sensors



### Commercial Service Tools

EFS006M8

Tool name	Description
1. Flare nut crowfoot 2. Torque wrench	Removing and installing brake piping <b>a: 10 mm (0.39 in)/12 mm (0.47 in)</b>

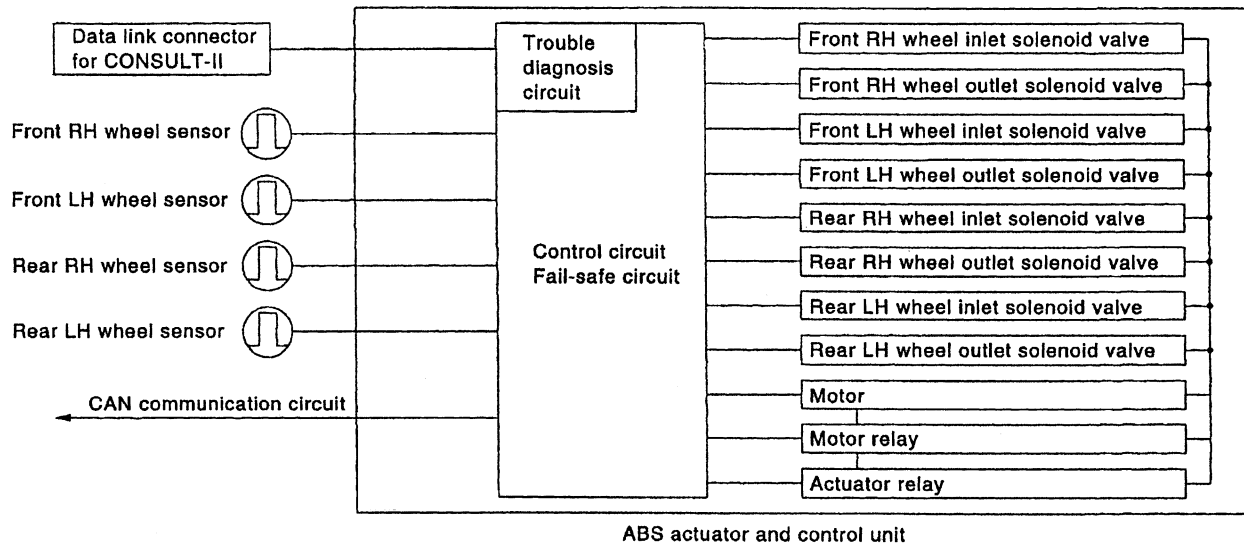


SYSTEM DESCRIPTION

PFP:00000

System Components

EFS006LC



WFIA0118E

ABS Function

EFS006LD

- The Anti-Lock Brake System detects wheel revolution while braking and improves handling stability during sudden braking by electrically preventing wheel lockup. Maneuverability is also improved for avoiding obstacles during emergency braking.
- If the electrical system malfunctions, the Fail-Safe function is activated, the ABS becomes inoperative and the ABS warning lamp turns on.
- The electrical system can be diagnosed using CONSULT-II.
- During ABS operation, the brake pedal may vibrate lightly and a mechanical noise may be heard. This is normal.
- Just after starting the vehicle, the brake pedal may vibrate or motor operating noises may be heard from the engine compartment. This is normal due to the self check operation.
- Stopping distance may be longer than that of vehicles without ABS when vehicle drives on rough, gravel, or snow-covered (fresh, deep snow) roads.

EBD Function

EFS006LE

- Electronic Brake Distribution is a function that detects subtle slippages between the front and rear wheels during braking, and it improves handling stability by electronically controlling the brake fluid pressure which results in reduced rear wheel slippage.
- If the electrical system malfunctions, the Fail-Safe function is activated, the EBD and ABS become inoperative, and the ABS warning lamp and brake warning lamp are turned on.
- The electrical system can be diagnosed using CONSULT-II.
- During EBD operation, the brake pedal may vibrate lightly and a mechanical noise may be heard. This is normal.
- Just after starting the vehicle, the brake pedal may vibrate or motor operating noises may be heard from the engine compartment. This is normal due to the self check operation.

A  
B  
C  
D  
E  
BRC

G  
H  
I  
J  
K  
L  
M

## Fail-Safe Function

**CAUTION:**

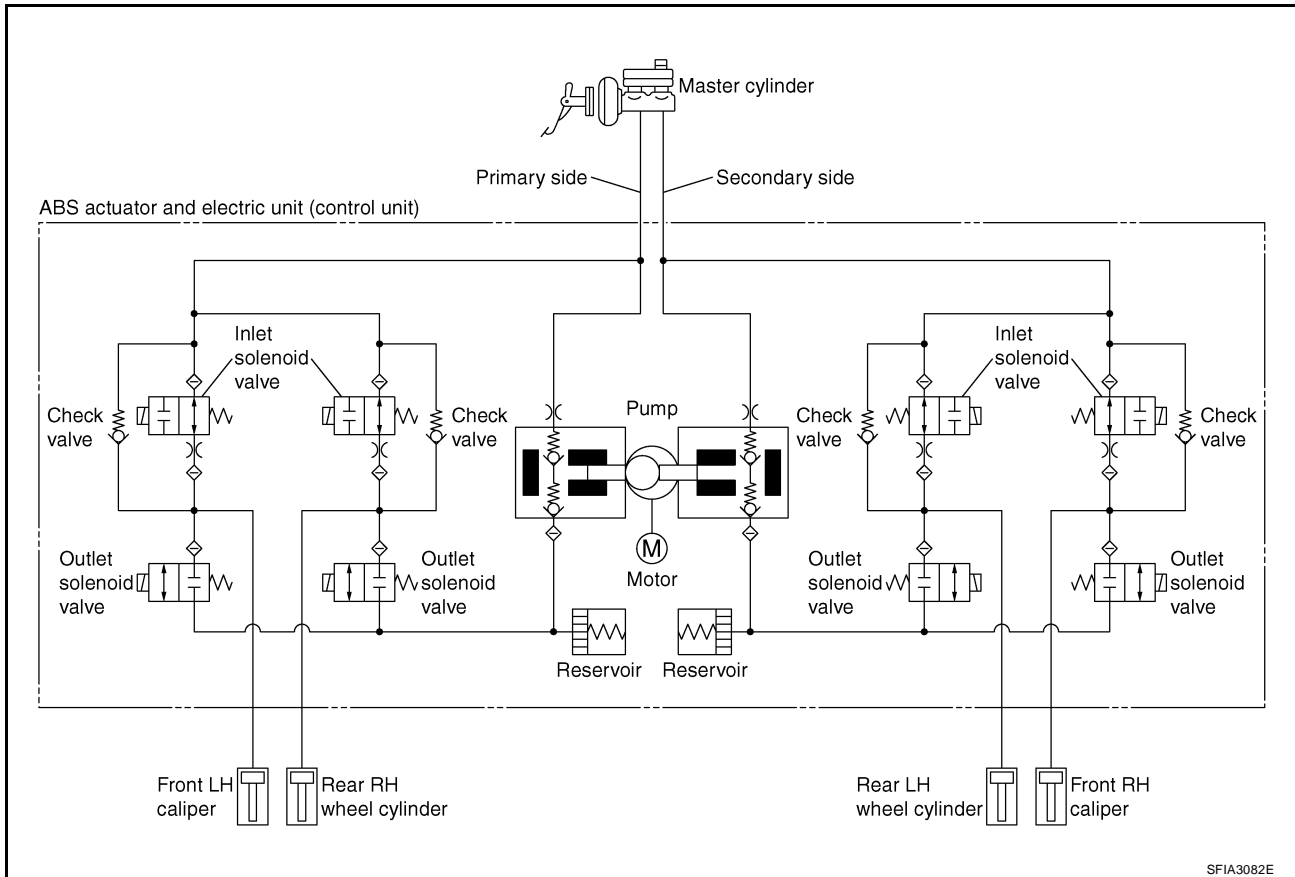
If the Fail-Safe function is activated, perform the Self Diagnosis for ABS system.

### ABS/EBD SYSTEM

In case of an electrical malfunction with the ABS, the ABS warning lamp will turn on. In case of an electrical malfunction with the EBD system, the brake warning lamp and the ABS warning lamp will turn on. The system will revert to one of the following conditions of the Fail-Safe function.

1. For ABS malfunction, only the EBD is operative and the condition of the vehicle is the same condition of vehicles without ABS system.
2. For EBD malfunction, the EBD and ABS become inoperative, and the condition of the vehicle is the same as the condition of vehicles without ABS or EBD system.

## Hydraulic Circuit Diagram



---

**CAN COMMUNICATION**

PFP:23710

**System Description**

EFS006LH

Refer to [LAN-4, "SYSTEM DESCRIPTION"](#) .

A

B

C

D

E

**BRC**

G

H

I

J

K

L

M

## TROUBLE DIAGNOSIS

### How to Perform Trouble Diagnoses for Quick and Accurate Repair INTRODUCTION

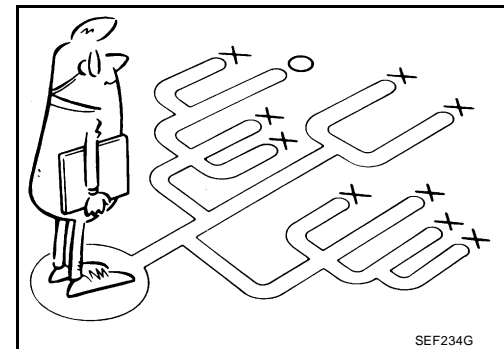
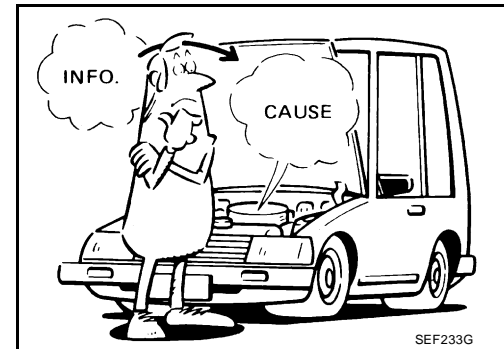
The ABS system has an electronic control unit to control major functions. The control unit accepts input signals from sensors and controls actuator operation. It is also important to check for air leaks in the booster or brake and vacuum lines, lack of brake fluid, or other malfunctions in the brake system.

It is much more difficult to diagnose a malfunction that occurs intermittently rather than continuously. Most intermittent conditions are caused by poor electrical connections or damaged wiring. In this case, careful checking of suspicious circuits may help prevent the replacement of good parts.

A visual check only may not find the cause of the malfunction, so a road test should be performed.

Before undertaking actual checks, take just a few minutes to talk with a customer who approaches with an ABS complaint. The customer is a very good source of information, especially for intermittent conditions. Through the talks with the customer, find out what symptoms are present and under what conditions they occur.

Start your diagnosis by looking for "conventional" malfunctions first. This is one of the best ways to troubleshoot brake malfunctions on an ABS equipped vehicle. Also check related Service Bulletins for information.

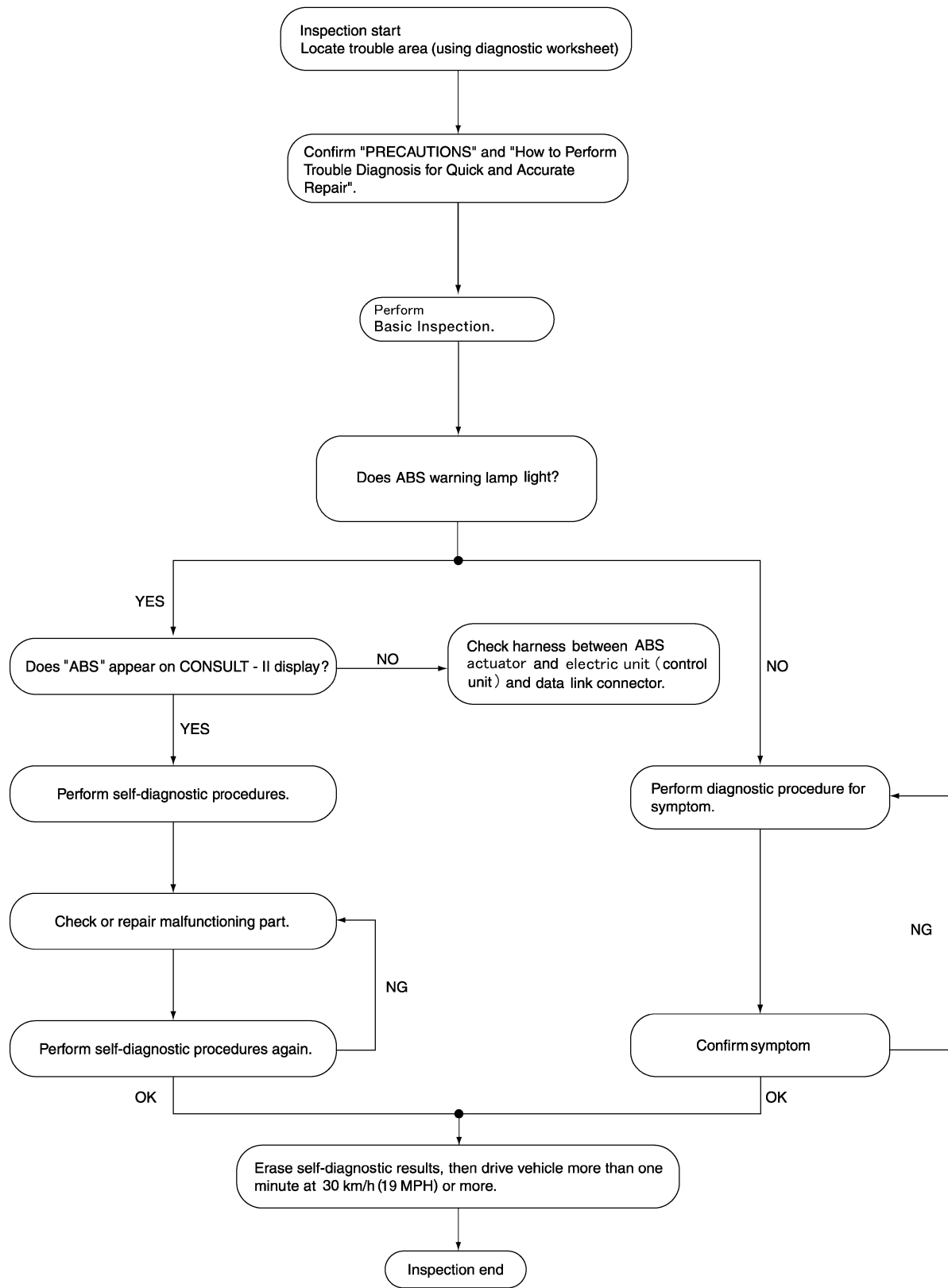




# TROUBLE DIAGNOSIS

[ABS]

## WORK FLOW



A  
B  
C  
D  
E  
BRC  
G  
H  
I  
J  
K  
L  
M

WFIA0496E

# TROUBLE DIAGNOSIS

[ABS]

## CLARIFY CONCERN

- A customer's description of a vehicle concern may vary depending on the individual. It is important to clarify the customer's concern.
- Ask the customer about what symptoms are present under what conditions. Use this information to reproduce the symptom while driving.
- It is also important to use the diagnosis sheet to understand what type of symptoms the customer is experiencing.

### KEY POINTS

**WHAT** ..... Vehicle model  
**WHEN** ..... Date, Frequencies  
**WHERE** ..... Road conditions  
**HOW** ..... Operating conditions,  
 Weather conditions,  
 Symptoms

SBR339B

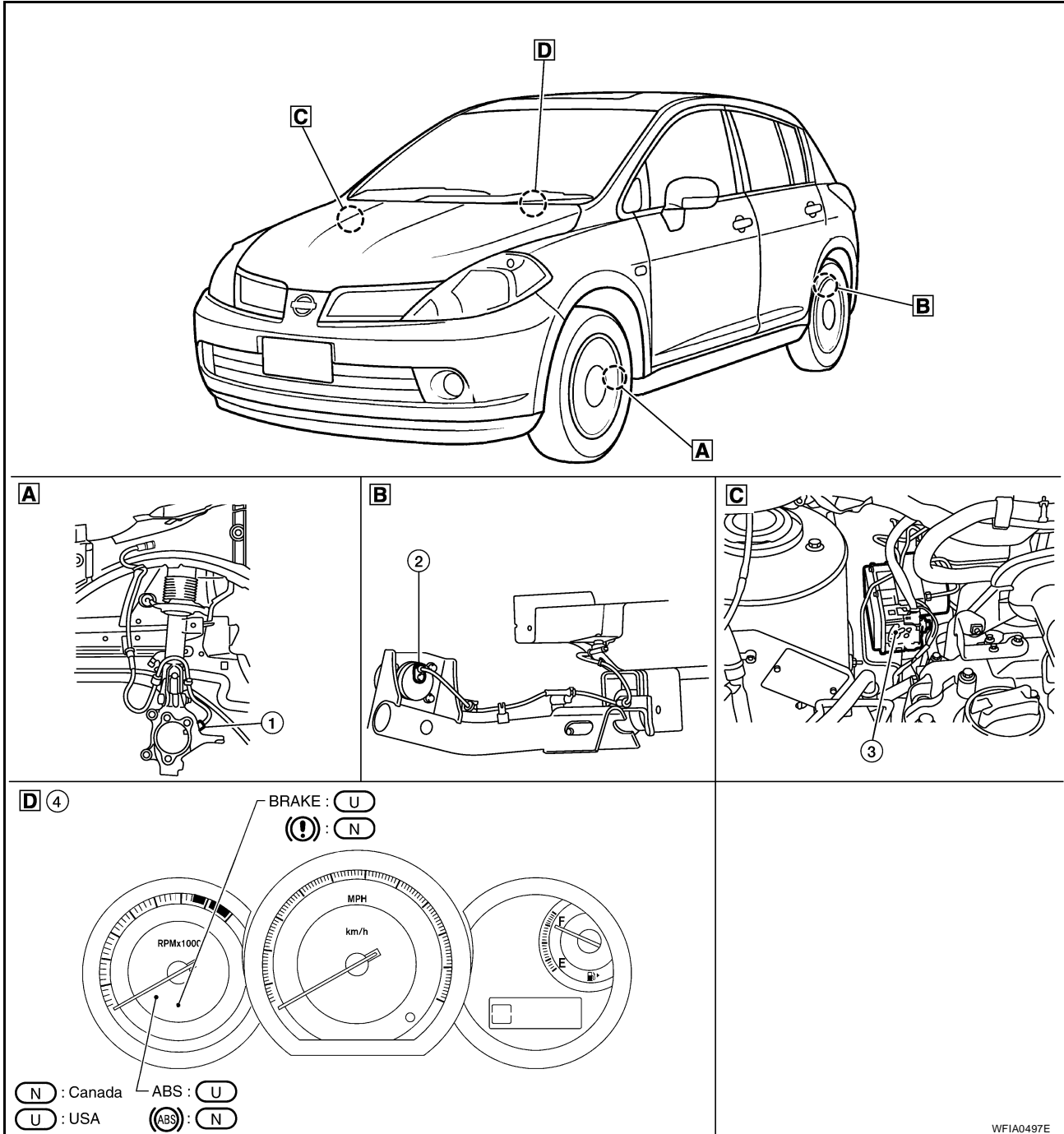
## EXAMPLE OF DIAGNOSIS SHEET

Customer name MR/MS	Model & Year	VIN	
Engine #	Trans.	Mileage	
Incident Date	Manuf. Date	In Service Date	
Symptoms	<input type="checkbox"/> Noise and vibration (from engine compartment)	<input type="checkbox"/> Warning / Indicator activate	<input type="checkbox"/> Firm pedal operation Large stroke pedal operation
	<input type="checkbox"/> Noise and vibration (from axle)	<input type="checkbox"/> ABS does not work (Wheels lock when braking)	<input type="checkbox"/> Lack of sense of acceleration
Engine conditions	<input type="checkbox"/> When starting <input type="checkbox"/> After starting		
Road conditions	<input type="checkbox"/> Low friction road ( <input type="checkbox"/> Snow <input type="checkbox"/> Gravel <input type="checkbox"/> Other ) <input type="checkbox"/> Bumps / potholes		
Driving conditions	<input type="checkbox"/> Full-acceleration <input type="checkbox"/> High speed cornering <input type="checkbox"/> Vehicle speed: Greater than 10 km/h (6 MPH) <input type="checkbox"/> Vehicle speed: 10 km/h (6 MPH) or less <input type="checkbox"/> Vehicle is stopped		
Applying brake conditions	<input type="checkbox"/> Suddenly <input type="checkbox"/> Gradually		
Other conditions	<input type="checkbox"/> Operation of electrical equipment <input type="checkbox"/> Shift change <input type="checkbox"/> Other descriptions		

SFIA3264E

## Component Parts and Harness Connector Location

EFS006LJ



A  
B  
C  
D  
E  
**BRC**  
G  
H  
I  
J  
K  
L  
M

1. Front wheel sensor  
LH E51  
RH E52
4. Combination meter M24

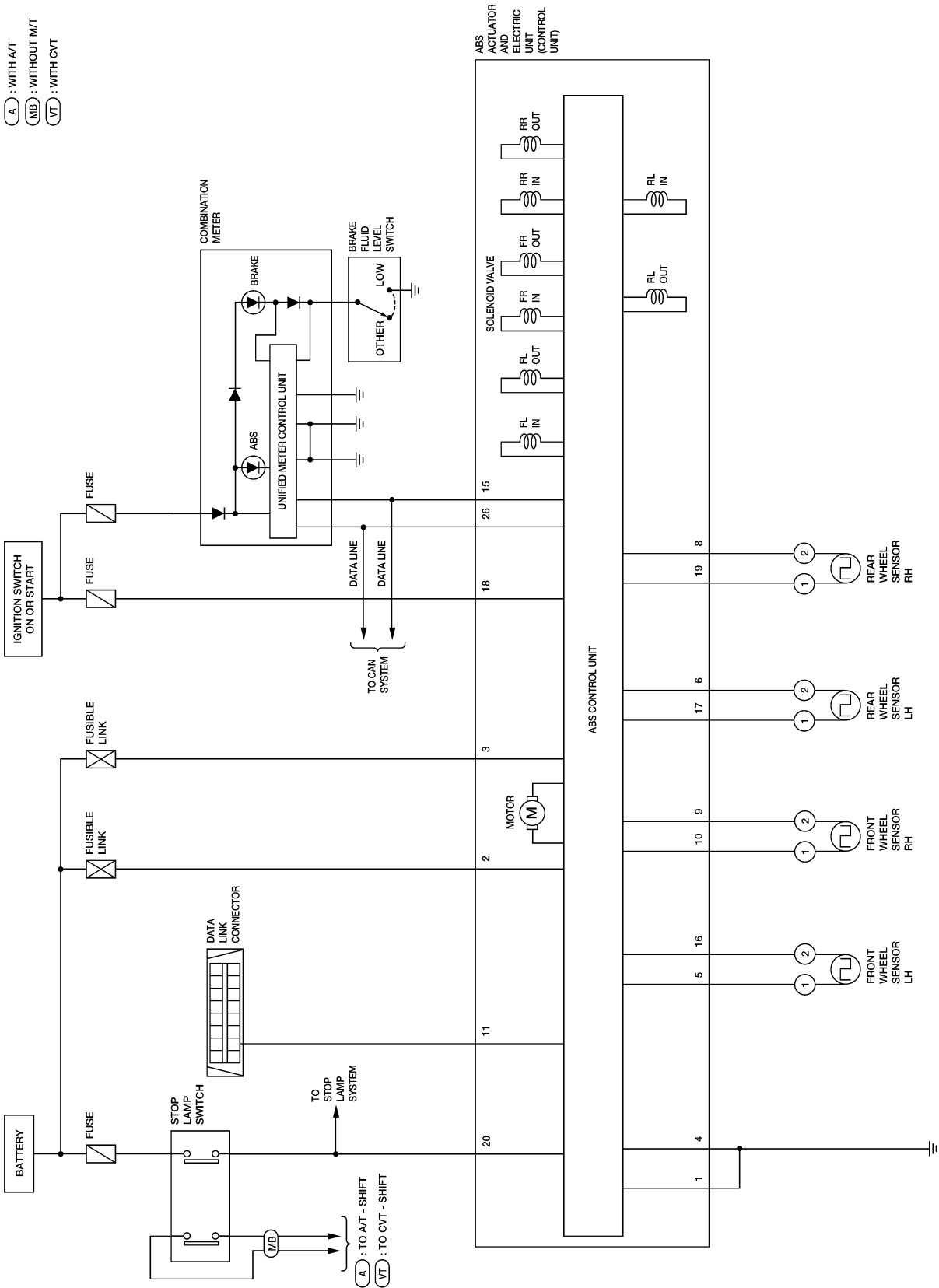
2. Rear wheel sensor  
LH B123  
RH B124

3. ABS actuator and electric unit (control unit) E33

(N) : Canada      ABS : (U)  
(U) : USA          (ABS) : (N)

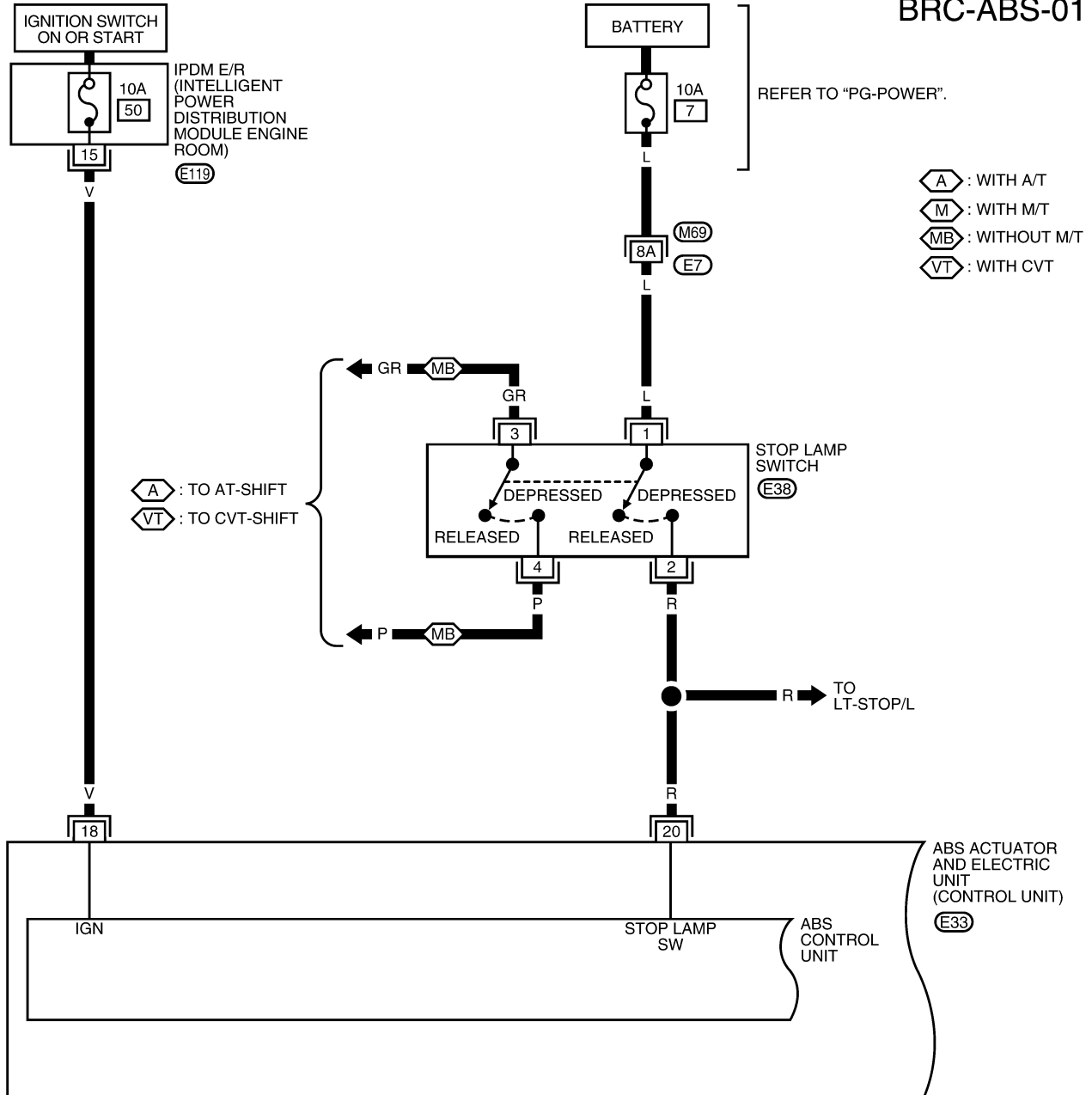
WFIA0497E

## Schematic

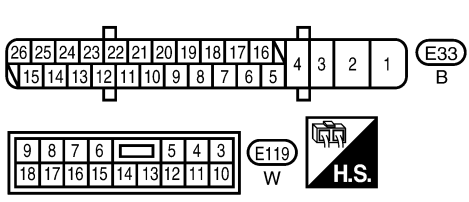


Wiring Diagram — ABS —

BRC-ABS-01



A  
B  
C  
D  
E  
BRC  
G  
H  
I  
J  
K  
L  
M

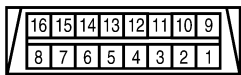
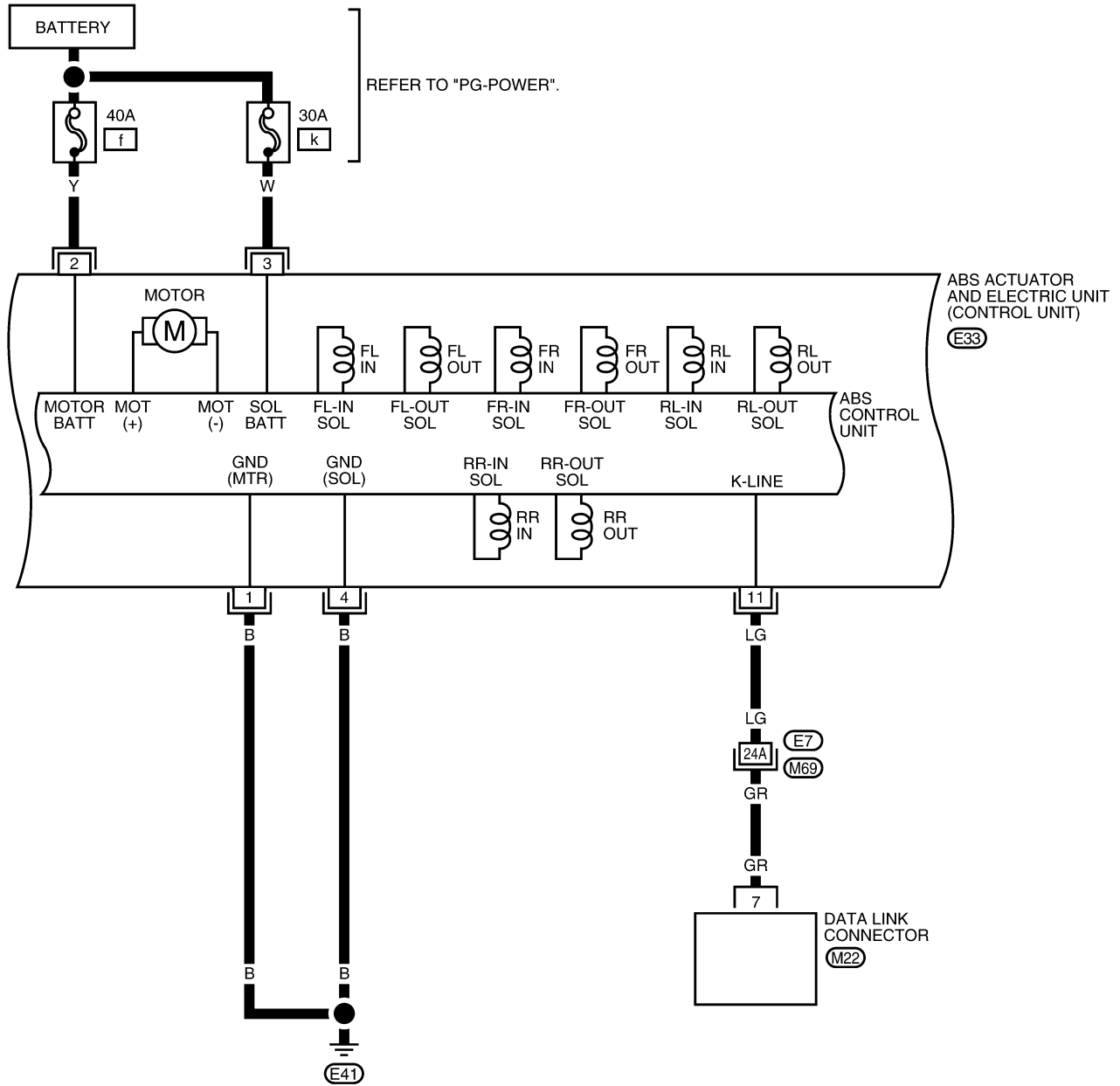


REFER TO THE FOLLOWING.  
(M69) - SUPER MULTIPLE JUNCTION (SMJ)

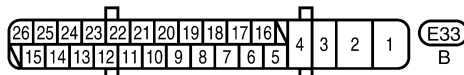
# TROUBLE DIAGNOSIS

[ABS]

## BRC-ABS-02



(M22)  
W



(E33)  
B

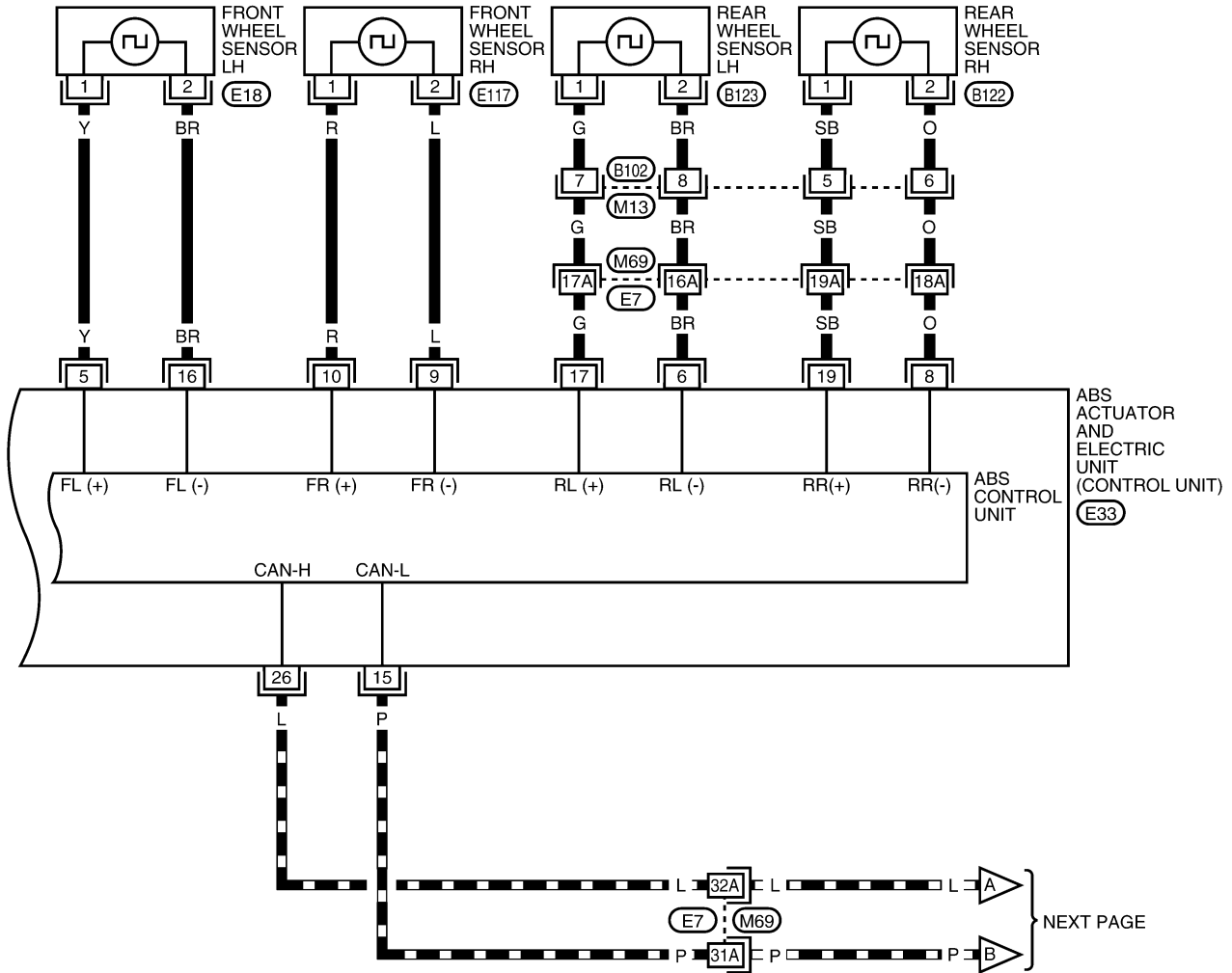
REFER TO THE FOLLOWING.  
(M69) - SUPER MULTIPLE JUNCTION (SMJ)

# TROUBLE DIAGNOSIS

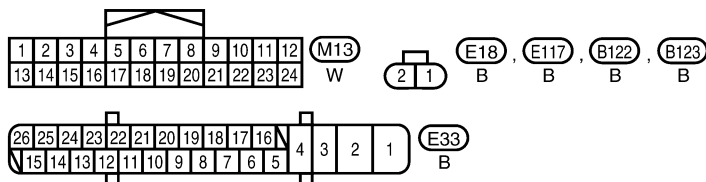
[ABS]

BRC-ABS-03

▬ : DATA LINE



A  
B  
C  
D  
E  
BRC  
G  
H  
I  
J  
K  
L  
M



REFER TO THE FOLLOWING.  
 (M69) - SUPER MULTIPLE JUNCTION (SMJ)

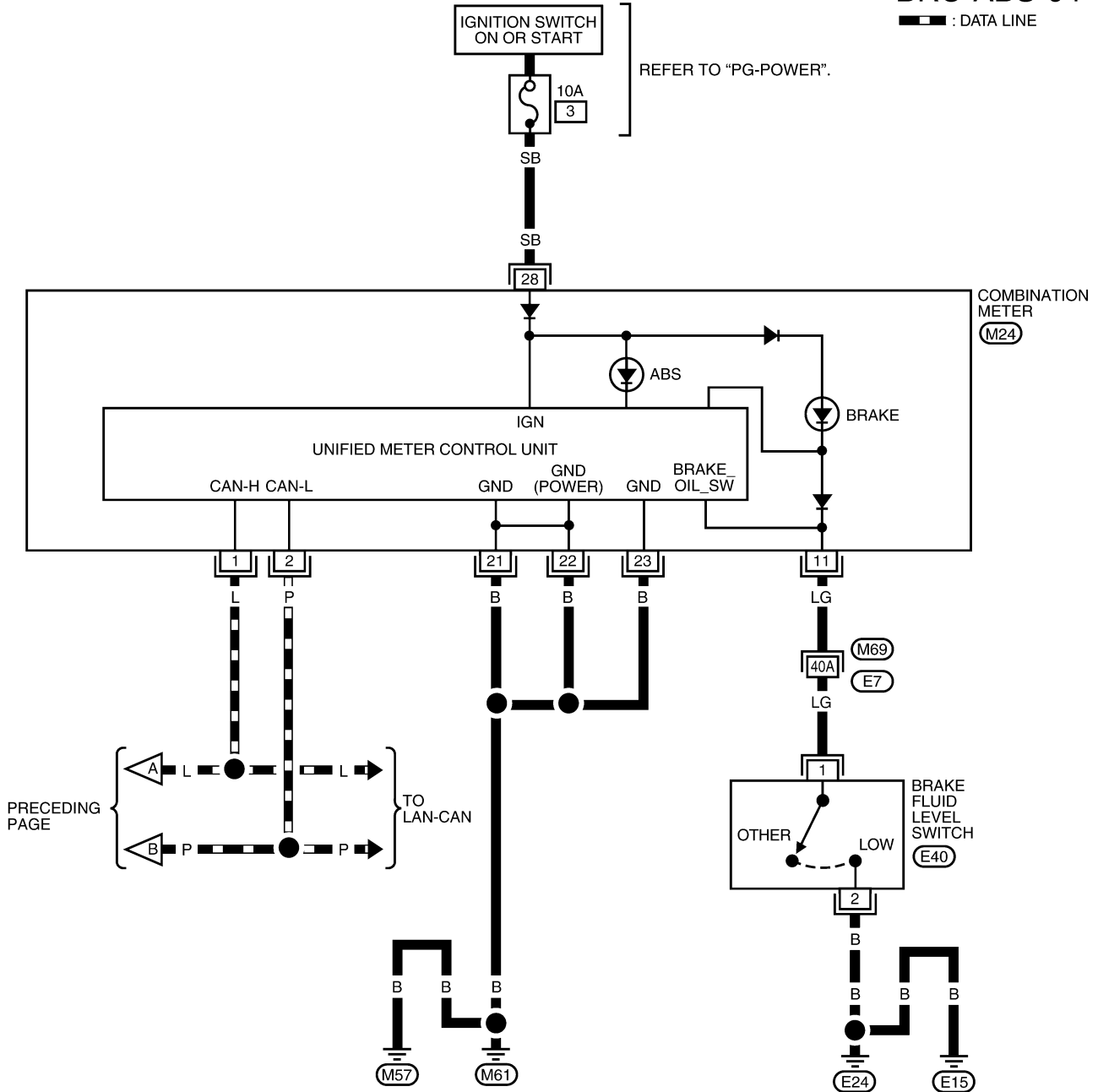
WFWA0421E

# TROUBLE DIAGNOSIS

[ABS]

## BRC-ABS-04

▬ : DATA LINE



1	2	3	4	5	6	7	8	9	10	11	12	13	14	15	16	17	18	19	20	M24	1	E40
21	22	23	24	25	26	27	28	29	30	31	32	33	34	35	36	37	38	39	40	W	2	GR

REFER TO THE FOLLOWING.  
**(M69)** - SUPER MULTIPLE JUNCTION (SMJ)

WFWA0422E



**Basic Inspection****BRAKE FLUID LEVEL, FLUID LEAK, AND BRAKE PAD INSPECTION**

1. Check fluid level in the brake fluid reservoir. If fluid level is low, add fluid.
2. Check the brake piping and around the ABS actuator and electric unit (control unit) for leaks. If there is leaking or seeping fluid, check the following items.
  - If ABS actuator and electric unit (control unit) connection is loose, tighten the piping to the specified torque and recheck for leaks.
  - If there is damage to the connection flare nut or ABS actuator and electric unit (control unit) threads, replace the damaged part and recheck for leaks.
  - When there is fluid leaking or seeping from a fluid connection, use a clean cloth to wipe off the fluid and recheck for leaks. If fluid is still seeping out, replace the damaged part. If the fluid is leaking at the ABS actuator and electric unit (control unit), replace the ABS actuator and electric unit (control unit) assembly.

**CAUTION:**

**The ABS actuator and electric unit (control unit) cannot be disassembled and must be replaced as an assembly.**

3. Check the brake pads for excessive wear.

**POWER SYSTEM TERMINAL LOOSENESS AND BATTERY INSPECTION**

Make sure the battery positive cable, negative cable and ground connection are not loose. In addition, make sure the battery is sufficiently charged.

**ABS WARNING LAMP INSPECTION**

1. Make sure ABS warning lamp turns on for approximately 2 seconds when the ignition switch is turned ON. If it does not, check CAN communications. If there are no errors with the CAN communication system, replace the combination meter. Refer to [IP-19, "COMBINATION METER"](#).
2. Make sure the lamp turns off approximately 2 seconds after the ignition switch is turned ON. If the lamp does not turn off, conduct self-diagnosis of ABS actuator and electric unit (control unit). If no malfunctions are detected in self-diagnosis, replace combination meter. Refer to [IP-19, "COMBINATION METER"](#).
3. After conducting the self-diagnosis, be sure to erase the error memory. Refer to [BRC-20, "CONSULT-II Function \(ABS\)"](#).

A

B

C

D

E

BRC

G

H

I

J

K

L

M

## Warning Lamp and Indicator Timing

EFS006LN

Condition	ABS warning lamp	BRAKE warning lamp [Note 1]	Remarks
When the ignition switch is OFF	-	-	-
After the ignition switch is turned ON for approx. 1 second	×	×	-
After the ignition switch is turned ON for approx. 2 seconds	-	-	Lamp goes off approx. 2 seconds after the engine is started.
ABS malfunction	×	-	-
EBD malfunction	×	×	-

Note 1: Brake warning lamp will turn on when the parking brake is applied or when the brake fluid level is low.

x: ON

-: OFF

## Control Unit Input/Output Signal Standard REFERENCE VALUE FROM CONSULT-II

EFS006LO

### CAUTION:

The display shows the control unit calculation data, so a normal value might be displayed even in the event the output circuit (harness) is open or short circuited.

Monitor item	Display content	Data monitor		Note: Error inspection checklist
		Condition	Reference value in normal operation	
FR RH SENSOR FR LH SENSOR RR RH SENSOR RR LH SENSOR	Wheel speed	Vehicle stopped	0 [km/h (MPH)]	<a href="#">BRC-25, "Wheel Sensor System"</a>
		Vehicle running (Note 1)	Almost in accordance with speedometer display (within ±10%)	
BATTERY VOLT	Battery voltage supplied to ABS actuator and electric unit (control unit)	Ignition switch ON	10 to 16V	<a href="#">BRC-29, "ABS Control Unit Power and Ground Systems Inspection"</a>
STOP LAMP SW	Stop lamp switch operation	Brake pedal depressed	ON	-
		Brake pedal not depressed	OFF	
ABS WARN LAMP	ABS warning lamp ON condition (Note 2)	ABS warning lamp ON	ON	<a href="#">BRC-17, "ABS WARNING LAMP INSPECTION"</a>
		ABS warning lamp OFF	OFF	
MOTOR RELAY	Operation status of motor and motor relay	Ignition switch ON or running (ABS not activated)	OFF	<a href="#">BRC-28, "Actuator Motor, Motor Relay, and Circuit Inspection"</a>
		Ignition switch ON or engine running (ABS activated)	ON	
ACTUATOR RLY	Actuator relay operation status	Vehicle stopped (Ignition switch ON)	OFF	<a href="#">BRC-28, "Actuator Motor, Motor Relay, and Circuit Inspection"</a>
		Vehicle stopped (Engine running)	ON	
FR LH IN SOL FR LH OUT SOL FR RH IN SOL FR RH OUT SOL RR RH IN SOL RR RH OUT SOL RR LH IN SOL RR LH OUT SOL	Solenoid valve operation	Actuator (solenoid) is active ("ACTIVE TEST" with CONSULT-II) or actuator relay is inactive (in fail-safe mode).	ON	<a href="#">BRC-27, "Solenoid Valve System Inspection"</a>
		When actuator (solenoid) is not active and actuator relay is active (ignition switch ON).	OFF	

# TROUBLE DIAGNOSIS

**[ABS]**

Monitor item	Display content	Data monitor		Note: Error inspection checklist
		Condition	Reference value in normal operation	
ABS SIGNAL EBD SIGNAL	Signal status	ABS active EBD active	ON	ABS system EBD system
		ABS not active EBD not active	OFF	
ABS FAIL SIG EBD FAIL SIG	Fail signal status	ABS fail EBD fail	ON	ABS system EBD system
		ABS normal EBD normal	OFF	

Note 1: Confirm tire pressure is normal.

Note 2: ON/OFF timing of ABS warning lamp

ON: For approximately 2 seconds after ignition switch is turned ON, or when a malfunction is detected.

OFF: Approximately 2 seconds after ignition switch is turned ON (when system is in normal operation).

A  
B  
C  
D  
E  
G  
H  
I  
J  
K  
L  
M

**BRC**

**CONSULT-II Function (ABS)**

CONSULT-II can display each diagnostic item using the diagnostic test modes shown following.

ABS diagnostic mode	Description
SELF-DIAG RESULTS	Displays ABS actuator and electric unit (control unit) self-diagnosis results.
DATA MONITOR	Displays ABS actuator and electric unit (control unit) input/output data in real time.
CAN DIAG SUPPORT MNTR	The result of transmit/receive diagnosis of CAN communication can be read.
ACTIVE TEST	Operation of electrical loads can be checked by sending drive signal to them.
FUNCTION TEST	Conducted by CONSULT-II instead of a technician to determine whether each system is "OK" or "NG".
ECU PART NUMBER	ABS actuator and electric unit (control unit) part number can be read.

**CONSULT-II START PROCEDURE**

Refer to [GI-38, "CONSULT-II Start Procedure"](#) .

**SELF-DIAGNOSIS****Description**

If an error is detected in the system, the ABS warning lamp will turn on. In this case, perform self-diagnosis as follows:

**Operation Procedure**

1. Turn ignition switch OFF.
2. Connect CONSULT-II and CONSULT-II CONVERTER to the data link connector.

**CAUTION:**

**If CONSULT-II is used with no connection of CONSULT-II CONVERTER, malfunctions might be detected in self-diagnosis depending on control unit which carries out CAN communication.**

3. Turn ignition switch ON.
4. Start engine and drive at approximately 30 km/h (19 MPH) or more for approximately 1 minute.
5. After stopping the vehicle, with the engine running, touch "START (NISSAN BASED VHCL)", "ABS", "SELF-DIAG RESULTS" in order on the CONSULT-II screen.

**CAUTION:**

**If "START (NISSAN BASED VHCL)" is touched immediately after starting the engine or turning on the ignition switch, "ABS" might not be displayed in the SELECT SYSTEM screen. In this case, repeat the operation from step 1.**

6. The self-diagnostic results are displayed. (If necessary, the self-diagnostic results can be printed out by touching "PRINT".)
  - When "NO DTC IS DETECTED" is displayed, check the ABS warning lamp.
7. Conduct the appropriate inspection from the display item list, and repair or replace the malfunctioning component.
8. Start engine and drive at approximately 30 km/h (19 MPH) or more for approximately 1 minute.

**CAUTION:**

**● When a wheel sensor "short-circuit" is detected, if the vehicle is not driven at 30 km/h (19 MPH) for at least 1 minute, the ABS warning lamp will not turn off even if the malfunction is repaired.**

9. Turn ignition switch OFF to prepare for erasing the memory.
10. Start the engine and touch "START (NISSAN BASED VHCL)", "ABS", "SELF-DIAG RESULTS", "ERASE" in order on the CONSULT-II screen to erase the error memory.  
If "ABS" is not indicated, go to [GI-40, "CONSULT-II Data Link Connector \(DLC\) Circuit"](#) .

**CAUTION:**

**If the error memory is not erased, re-conduct the operation from step 5.**

11. For the final inspection, drive at approximately 30 km/h (19 MPH) or more for approximately 1 minute and confirm that the ABS warning lamp is off.

# TROUBLE DIAGNOSIS

[ABS]

## Display Item List

Self-diagnostic item	Malfunction detecting condition	Check system
RR RH SENSOR-1 [C1101]	Circuit of rear RH wheel sensor is open.	
RR LH SENSOR-1 [C1102]	Circuit of rear LH wheel sensor is open.	
FR RH SENSOR-1 [C1103]	Circuit of front RH wheel sensor is open.	
FR LH SENSOR-1 [C1104]	Circuit of front LH wheel sensor is open.	
RR RH SENSOR-2 [C1105]	When the circuit in the rear RH wheel sensor is short-circuited or when the sensor power voltage is outside the standard. When the distance between the wheel sensor and sensor rotor is too large and the sensor pulse cannot be recognized by the control unit.	
RR LH SENSOR-2 [C1106]	When the circuit in the rear LH wheel sensor is short-circuited or when the sensor power voltage is outside the standard. When the distance between the wheel sensor and sensor rotor is too large and the sensor pulse cannot be recognized by the control unit.	<a href="#">BRC-25. "Wheel Sensor System"</a> (Note 1)
FR RH SENSOR-2 [C1107]	When the circuit in the front RH wheel sensor is short-circuited or when the sensor power voltage is outside the standard. When the distance between the wheel sensor and sensor rotor is too large and the sensor pulse cannot be recognized by the control unit.	
FR LH SENSOR-2 [C1108]	When the circuit in the front LH wheel sensor is short-circuited or when the sensor power voltage is outside the standard. When the distance between the wheel sensor and sensor rotor is too large and the sensor pulse cannot be recognized by the control unit.	
ABS SENSOR [ABNORMAL SIGNAL] [C1115]	Wheel sensor input is abnormal.	
BATTERY VOLTAGE [ABNORMAL] [C1109]	ABS actuator and electric unit (control unit) power voltage is too low.	<a href="#">BRC-29. "ABS Control Unit Power and Ground Systems Inspection"</a>
CONTROLLER FAILURE [C1110]	Internal malfunction of ABS actuator and electric unit (control unit)	<a href="#">BRC-26. "ABS Control Unit Inspection"</a>
PUMP MOTOR [C1111]	During actuator motor operation with ON, when actuator motor turns OFF or when control line for actuator motor relay is open.	<a href="#">BRC-28. "Actuator Motor, Motor Relay, and Circuit Inspection"</a>
	During actuator motor operation with OFF, when actuator motor turns ON or when control line for relay is shorted to ground.	

A

B

C

D

E

BRC

G

H

I

J

K

L

M

# TROUBLE DIAGNOSIS

[ABS]

Self-diagnostic item	Malfunction detecting condition	Check system
FR LH IN ABS SOL [C1120]	Circuit of front LH IN ABS solenoid is open or shorted, or control line is open or shorted to power supply or ground.	<a href="#">BRC-27, "Solenoid Valve System Inspection"</a>
FR LH OUT ABS SOL [C1121]	Circuit of front LH OUT ABS solenoid is open or shorted, or control line is open or shorted to power supply or ground.	
FR RH IN ABS SOL [C1122]	Circuit of front RH IN ABS solenoid is open or shorted, or control line is open or shorted to power supply or ground.	
FR RH OUT ABS SOL [C1123]	Circuit of front RH OUT ABS solenoid is open or shorted, or control line is open or shorted to power supply or ground.	
RR LH IN ABS SOL [C1124]	Circuit of rear LH IN ABS solenoid is open or shorted, or control line is open or shorted to power supply or ground.	
RR LH OUT ABS SOL [C1125]	Circuit of rear LH OUT ABS solenoid is open or shorted, or control line is open or shorted to power supply or ground.	
RR RH IN ABS SOL [C1126]	Circuit of rear RH IN ABS solenoid is open or shorted, or control line is open or shorted to power supply or ground.	
RR RH OUT ABS SOL [C1127]	Circuit of rear RH OUT ABS solenoid is open or shorted, or control line is open or shorted to power supply or ground.	<a href="#">BRC-28, "Actuator Motor, Motor Relay, and Circuit Inspection"</a>
MAIN RELAY [C1114]	ABS actuator relay or circuit malfunction.	
CAN COMM CIRCUIT [U1000]	<ul style="list-style-type: none"> <li>● CAN communication line is open or shorted.</li> <li>● ABS actuator and electric unit (control unit) internal malfunction</li> <li>● Battery voltage for ECM is suddenly interrupted for approximately 0.5 second or more.</li> </ul>	<a href="#">BRC-29, "CAN Communication System Inspection"</a> (Note 2)

Note 1: If wheel sensor 2 for each wheel is indicated, check ABS actuator and electric unit (control unit) power supply voltage in addition to wheel sensor circuit check.

Note 2: If multiple malfunctions are detected including CAN communication line [U1000], perform diagnosis for CAN communication line first.

## DATA MONITOR

### Operation Procedure

1. After turning OFF the ignition switch, connect CONSULT-II and the CONSULT-II CONVERTER to the data link connector.

**CAUTION:**

If CONSULT-II is used with no connection of CONSULT-II CONVERTER, malfunctions might be detected in self-diagnosis depending on control unit which carries out CAN communication.

2. Touch "START (NISSAN BASED VHCL)", "ABS", "DATA MONITOR" in order on the CONSULT-II screen. If "ABS" is not indicated, go to [GI-40, "CONSULT-II Data Link Connector \(DLC\) Circuit"](#).

**CAUTION:**

When "START (NISSAN BASED VHCL)" is touched immediately after starting the engine or turning on the ignition switch, "ABS" might not be displayed in the SELECT SYSTEM screen. In this case, repeat the operation from step 2.

3. Return to the SELECT MONITOR ITEM screen, and touch "ECU INPUT SIGNALS", "MAIN SIGNALS" or "SELECTION FROM MENU". Refer to the following information.
4. When "START" is touched, the data monitor screen is displayed.

# TROUBLE DIAGNOSIS

[ABS]

## Display Item List

Item (Unit)	Data monitor item selection			Remarks
	ECU INPUT SIGNALS	MAIN SIGNALS	SELECTION FROM MENU	
FR RH SENSOR (km/h, MPH)	×	×	×	Wheel speed calculated by front RH wheel sensor signal is displayed.
FR LH SENSOR (km/h, MPH)	×	×	×	Wheel speed calculated by front LH wheel sensor signal is displayed.
RR RH SENSOR (km/h, MPH)	×	×	×	Wheel speed calculated by rear RH wheel sensor signal is displayed.
RR LH SENSOR (km/h, MPH)	×	×	×	Wheel speed calculated by rear LH wheel sensor signal is displayed.
BATTERY VOLT (V)	×	×	×	Voltage supplied to ABS actuator and electric unit (control unit) is displayed.
STOP LAMP SW (ON/OFF)	×	×	×	Stop lamp switch (ON/OFF) status is displayed.
ABS WARN LAMP (ON/OFF)	-	×	×	ABS warning lamp (ON/OFF) status is displayed.
FR LH IN SOL (ON/OFF)	-	×	×	Front LH IN ABS solenoid (ON/OFF) status is displayed.
FR LH OUT SOL (ON/OFF)	-	×	×	Front LH OUT ABS solenoid (ON/OFF) status is displayed.
FR RH IN SOL (ON/OFF)	-	×	×	Front RH IN ABS solenoid (ON/OFF) status is displayed.
FR RH OUT SOL (ON/OFF)	-	×	×	Front RH OUT ABS solenoid (ON/OFF) status is displayed.
RR LH IN SOL (ON/OFF)	-	×	×	Rear LH IN ABS solenoid (ON/OFF) status is displayed.
RR LH OUT SOL (ON/OFF)	-	×	×	Rear LH OUT ABS solenoid (ON/OFF) status is displayed.
RR RH IN SOL (ON/OFF)	-	×	×	Rear RH IN ABS solenoid (ON/OFF) status is displayed.
RR RH OUT SOL (ON/OFF)	-	×	×	Rear RH OUT ABS solenoid (ON/OFF) status is displayed.
MOTOR RELAY (ON/OFF)	-	×	×	ABS motor relay signal (ON/OFF) status is displayed.
ACTUATOR RLY (ON/OFF)	-	×	×	ABS actuator relay signal (ON/OFF) status is displayed.
ABS FAIL SIG (ON/OFF)	-	-	×	ABS fail signal (ON/OFF) status is displayed.
EBD FAIL SIG (ON/OFF)	-	-	×	EBD fail signal (ON/OFF) status is displayed.
EBD SIGNAL (ON/OFF)	-	-	×	EBD operation (ON/OFF) status is displayed.
ABS SIGNAL (ON/OFF)	-	-	×	ABS operation (ON/OFF) status is displayed.

×: Applicable  
-: Not applicable

A

B

C

D

E

BRC

G

H

I

J

K

L

M

## ACTIVE TEST

**CAUTION:**

- Do not perform active test while driving.
- Make sure to completely bleed air from the brake system.
- The ABS and brake warning lamps turn on during the active test.

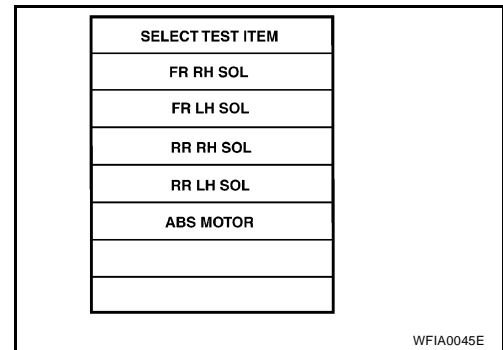
### Operation Procedure

1. Connect the CONSULT-II and CONSULT-II CONVERTER to the data link connector and start the engine.

**CAUTION:**

If CONSULT-II is used with no connection of CONSULT-II CONVERTER, malfunctions might be detected in self-diagnosis depending on control unit which carries out CAN communication.

2. Touch "START (NISSAN BASED VHCL)" on the display screen.
3. Touch "ABS".  
If "ABS" is not indicated, go to [GI-40, "CONSULT-II Data Link Connector \(DLC\) Circuit"](#).
4. Touch "ACTIVE TEST".
5. The SELECT TEST ITEM screen is displayed.
6. Touch necessary test item.



7. With the "MAIN SIGNALS" display selected, touch "START".
8. The Active Test screen will be displayed, so conduct the following test.

### Solenoid Valve Operation Chart

TEST ITEM	CONDITION	JUDGEMENT		
FR RH SOL FR LH SOL RR RH SOL RR LH SOL	Ignition switch is turned ON.	Brake fluid pressure control operation		
			IN SOL	OUT SOL
		UP (Increase):	OFF	OFF
		KEEP (Hold):	ON	OFF
		DOWN (Decrease):	ON	ON

**NOTE:**

- If active test is performed with brake pedal depressed, pedal stroke may change. This is normal.
- "TEST IS STOPPED" is displayed approximately 10 seconds after operation starts.
- After "TEST IS STOPPED" is displayed, to perform test again, repeat Step 6.

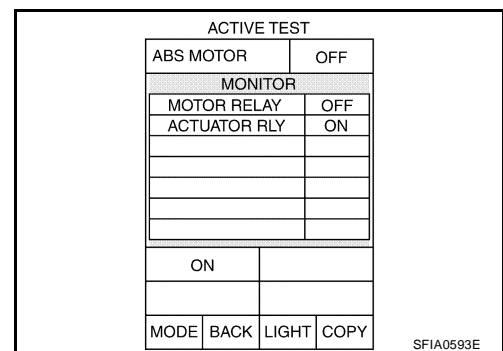
### ABS Motor

Touch "ON" and "OFF" on the screen. Check that ABS motor relay operates as shown in table below.

Operation	ON	OFF
ABS actuator relay	ON	ON
ABS motor relay	ON	OFF

**NOTE:**

- If active test is performed with brake pedal depressed, pedal stroke may change. This is normal.
- "TEST IS STOPPED" is displayed approximately 10 seconds after operation starts.





**TROUBLE DIAGNOSIS FOR SELF-DIAGNOSTIC ITEMS****Wheel Sensor System**

## INSPECTION PROCEDURE

**1. CONNECTOR INSPECTION**

Disconnect the ABS actuator and electric unit (control unit) connector E33 and wheel sensor of malfunctioning code.

Check the terminals for deformation, disconnection, looseness or damage.

OK or NG

OK >> GO TO 2.

NG >> Repair or replace as necessary.

**2. CHECK WHEEL SENSOR OUTPUT SIGNAL**

1. Connect ABS active wheel sensor tester (J-45741) to wheel sensor using appropriate adapter.

2. Turn on the ABS active wheel sensor tester power switch.

**NOTE:**

The green POWER indicator should illuminate. If the POWER indicator does not illuminate, replace the battery in the ABS active wheel sensor tester before proceeding.

3. Spin the wheel of the vehicle by hand and observe the red SENSOR indicator on the ABS active wheel sensor tester. The red SENSOR indicator should flash on and off to indicate an output signal.

**NOTE:**

If the red SENSOR indicator illuminates but does not flash, reverse the polarity of the tester leads and retest.

Does the ABS active wheel sensor tester detect a signal?

YES >> GO TO 3.

NO >> Replace the wheel sensor. Refer to [BRC-33, "Removal and Installation"](#).

**3. CHECK TIRES**

Check for inflation pressure, wear and size of each tire. Refer to [WT-29, "SERVICE DATA AND SPECIFICATIONS \(SDS\)"](#).

Are tire pressure and size correct and is tire wear within specifications?

YES >> GO TO 4.

NO >> Adjust tire pressure or replace tire(s).

**4. CHECK WHEEL BEARINGS**

Check wheel bearing axial end play. Refer to [FAX-5, "FRONT WHEEL BEARING INSPECTION"](#) or [RAX-4, "REAR WHEEL BEARING INSPECTION"](#).

OK or NG

OK >> GO TO 5.

NG >> Repair or replace as necessary. Refer to [FAX-5, "Removal and Installation"](#) or [RAX-4, "Removal and Installation"](#).

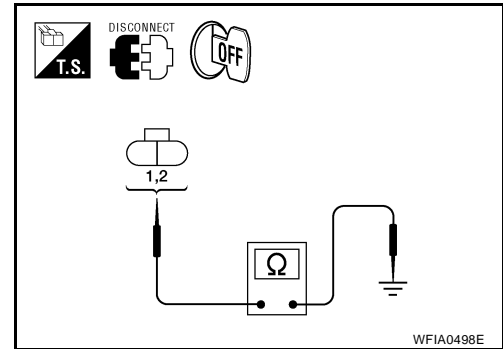
**5. CHECK WIRING HARNESS FOR SHORT CIRCUIT**

1. Disconnect ABS actuator and electric unit (control unit) connector and wheel sensor connector of malfunction code No.
2. Check continuity between wheel sensor harness connector terminals and ground.

**Continuity should not exist.**

OK or NG

- OK >> GO TO 6.
- NG >> Repair the circuit.



**6. CHECK WIRING HARNESS FOR OPEN CIRCUIT**

Check continuity between ABS actuator and electric unit (control unit) harness connector and wheel sensor harness connector.

Wheel sensor	ABS actuator and electric unit (control unit)		Wheel sensor		Continuity
	Connector	Terminals	Connector	Terminals	
Front LH	E33	5	E51	1	Yes
		16		2	
Front RH		10	E52	1	
		9		2	
Rear LH		17	B123	1	
		6		2	
Rear RH		19	B124	1	
		8		2	

OK or NG

- OK >> Replace the ABS actuator and electric unit (control unit). Refer to [BRC-36, "Removal and Installation"](#) .
- NG >> Repair the circuit.

**ABS Control Unit Inspection**

EFS006LR

**INSPECTION PROCEDURE**

**1. SELF-DIAGNOSIS RESULT CHECK**

Check self-diagnosis results.

Self-diagnosis results
<b>CONTROLLER FAILURE</b>

Is the above displayed in the self-diagnosis display items?

- YES >> Replace ABS actuator and electric unit (control unit). Refer to [BRC-36, "Removal and Installation"](#)
- NO >> Inspection End.

## Solenoid Valve System Inspection

### INSPECTION PROCEDURE

#### 1. SELF-DIAGNOSIS RESULT CHECK

Check self-diagnosis results.

Self-diagnosis results
FR LH IN ABS SOL
FR LH OUT ABS SOL
FR RH IN ABS SOL
FR RH OUT ABS SOL
RR LH IN ABS SOL
RR LH OUT ABS SOL
RR RH IN ABS SOL
RR RH OUT ABS SOL

Is the above displayed in the self-diagnosis display items?

- YES >> GO TO 2.
- NO >> Inspection End.

#### 2. CONNECTOR INSPECTION

1. Disconnect ABS actuator and electric unit (control unit) connector E33.
2. Check the terminals for deformation, disconnection, looseness or damage.

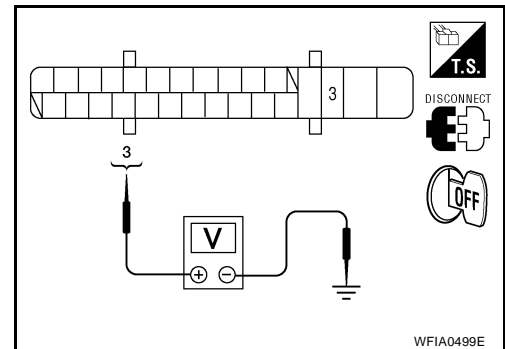
OK or NG

- OK >> GO TO 3.
- NG >> Repair or replace as necessary.

#### 3. CHECKING SOLENOID POWER AND GROUND

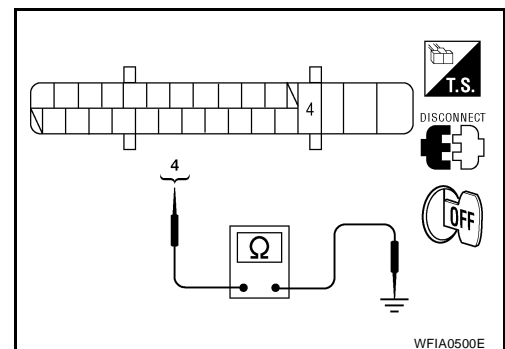
1. Check voltage between ABS actuator and electric unit (control unit) harness connector E33 and body ground.

ABS actuator and electric unit (control unit) harness connector E33	Body ground	Measured value (Approx.)
3	—	12V



2. Check resistance between ABS actuator and electric unit (control unit) harness connector E33 and body ground.

ABS actuator and electric unit (control unit) harness connector E33	Body ground	Measured value (Approx.)
4	—	0Ω



OK or NG

- OK >> Perform self-diagnosis again. If the same results appear, replace ABS actuator and electric unit (control unit). Refer to [BRC-36, "Removal and Installation"](#).
- NG >> Repair the circuit.

## Actuator Motor, Motor Relay, and Circuit Inspection

### INSPECTION PROCEDURE

#### 1. CHECKING SELF-DIAGNOSIS RESULTS

Check self-diagnosis results.

Self-diagnosis results
PUMP MOTOR
MAIN RELAY

Is the above displayed in the self-diagnosis display items?

- YES >> GO TO 2.
- NO >> Inspection End.

#### 2. CONNECTOR INSPECTION

1. Disconnect ABS actuator and electric unit (control unit) connector E33.
2. Check the terminals for deformation, disconnection, looseness or damage.

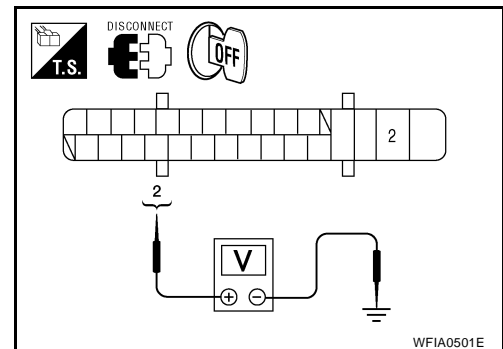
OK or NG

- OK >> GO TO 3.
- NG >> Repair or replace as necessary.

#### 3. CHECKING ABS MOTOR AND MOTOR RELAY POWER SYSTEM

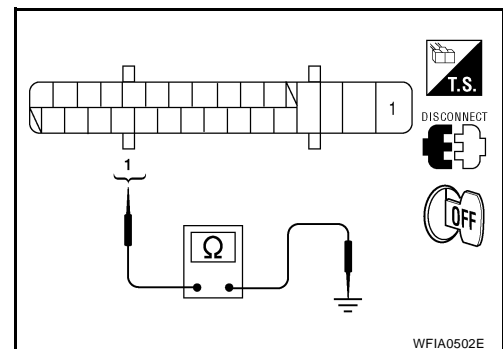
1. Check voltage between ABS actuator and electric unit (control unit) harness connector E33 and ground.

ABS actuator and electric unit (control unit) harness connector E33	Body ground	Measured value (Approx.)
2	—	12V



2. Check resistance between ABS actuator and electric unit (control unit) connector E33 and ground.

ABS actuator and electric unit (control unit) harness connector E33	Body ground	Measured value (Approx.)
1	—	0Ω



OK or NG

- OK >> Perform self-diagnosis again. If the same results appear, replace ABS actuator and electric unit (control unit). Refer to [BRC-36, "Removal and Installation"](#).
- NG >> Repair the circuit.

## ABS Control Unit Power and Ground Systems Inspection

### INSPECTION PROCEDURE

#### 1. SELF-DIAGNOSIS RESULT CHECK

Check self-diagnosis results.

Self-diagnosis results
BATTERY VOLTAGE

Is the above displayed in the self-diagnosis display items?

- YES >> GO TO 2.
- NO >> Inspection End.

#### 2. CONNECTOR INSPECTION

1. Disconnect the ABS actuator and electric unit (control unit) connector E33.
2. Check the terminals for deformation, disconnection, looseness or damage.

OK or NG

- OK >> GO TO 3.
- NG >> Repair or replace as necessary.

#### 3. ABS CONTROL UNIT POWER AND GROUND CIRCUIT INSPECTION

Measure the voltage and continuity between the ABS actuator and electric unit (control unit) harness connector E33 and ground.

Signal name	ABS actuator and electric unit (control unit) harness connector E33	Body ground	Measured value
Power supply	2	—	Battery voltage (Approx. 12V)
	3		
Ground	1	—	Continuity should exist.
	4		

OK or NG

- OK >> Check the battery for loose terminals, low voltage, etc. Repair as necessary.
- NG >> Repair the circuit.

## CAN Communication System Inspection

### INSPECTION PROCEDURE

#### 1. CHECK CONNECTOR

1. Turn ignition switch OFF, disconnect the ABS actuator and electric unit (control unit) connector and check the terminals for deformation, disconnection, looseness, and so on. If there is a malfunction, repair or replace the terminal.
2. Reconnect connector to perform self-diagnosis.

Is "CAN COMM CIRCUIT" displayed in self-diagnosis display items?

- YES >> Print out the self-diagnostic results, and refer to [LAN-44, "TROUBLE DIAGNOSIS"](#).
- NO >> Connector terminal is loose, damaged, open, or shorted.

---

## TROUBLE DIAGNOSES FOR SYMPTOMS

### ABS Works Frequently

#### 1. CHECK WARNING LAMP ACTIVATION

---

Make sure warning lamp remains off while driving.

OK or NG

OK >> GO TO 2.

NG >> Carry out self-diagnosis. Refer to [BRC-20, "SELF-DIAGNOSIS"](#) .

#### 2. CHECK WHEEL SENSORS

---

Check the following.

- Wheel sensor mounting for looseness
- Wheel sensors for physical damage
- Wheel sensor connectors for terminal damage or loose connections
- Sensor rotor and mount for physical damage

OK or NG

OK >> GO TO 3.

NG >> Repair or replace as necessary.

#### 3. CHECK WHEEL BEARINGS

---

Check wheel bearing axial end play. Refer to [FAX-5, "FRONT WHEEL BEARING INSPECTION"](#) or [RAX-4, "REAR WHEEL BEARING INSPECTION"](#) .

OK or NG

OK >> GO TO 4.

NG >> Repair as necessary.

#### 4. CHECK BRAKE FLUID PRESSURE

---

Check brake fluid pressure distribution.

Refer to [BRC-17, "Basic Inspection"](#) .

Is brake fluid pressure distribution normal?

YES >> Inspection End.

NO >> Perform Basic Inspection. Refer to [BRC-17, "Basic Inspection"](#) .

**Unexpected Pedal Action****1. CHECK WARNING LAMP ACTIVATION**

Make sure warning lamp remains off while driving.

OK or NG

OK >> GO TO 2.

NG >> Carry out self-diagnosis. Refer to [BRC-20, "SELF-DIAGNOSIS"](#) .

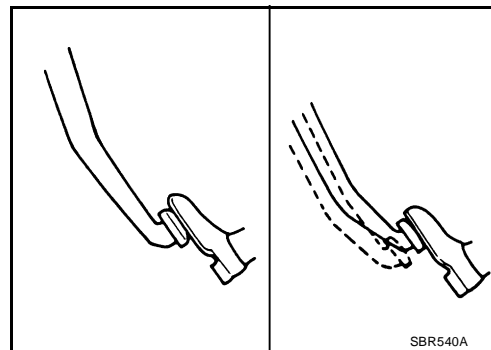
**2. CHECK BRAKE PEDAL STROKE**

Check brake pedal stroke.

Is brake pedal stroke excessive?

YES >> Perform Basic Inspection. Refer to [BRC-17, "Basic Inspection"](#) .

NO >> GO TO 3.

**3. CHECK CONNECTOR AND BRAKING PERFORMANCE**

1. Disable ABS by disconnecting ABS actuator and electric unit (control unit) connector.

2. Drive vehicle and check brake operation.

**NOTE:**

- Stopping distance may be longer than vehicles without ABS when road condition is slippery.
- Driving the vehicle with the ABS actuator and electric unit (control unit) disconnected may induce DTCs in electrical control units using CAN communication. After the inspection, clear all DTCs. Refer to [LAN-4, "SYSTEM DESCRIPTION"](#) .

OK or NG

OK >> GO TO 4.

NG >> Perform Basic Inspection. Refer to [BRC-17, "Basic Inspection"](#) .

**4. CHECK WHEEL SENSORS**

Check the following.

- Wheel sensor mounting for looseness
- Wheel sensors for physical damage
- Wheel sensor connectors for terminal damage or loose connections
- Sensor rotor and mount for physical damage

OK or NG

OK >> Check ABS actuator and electric unit (control unit) connector terminals for deformation, disconnection, looseness or damage. Reconnect ABS actuator and electric unit (control unit) harness connector. Then retest.

NG >> Repair or replace as necessary.

**Long Stopping Distance****1. CHECK BASE BRAKING SYSTEM PERFORMANCE**

1. Disable ABS by disconnecting ABS actuator and electric unit (control unit) connector.
2. Drive vehicle and check brake operation.

**NOTE:**

- Stopping distance may be longer than vehicles without ABS when road condition is slippery.
- Driving the vehicle with the ABS actuator and electric unit (control unit) disconnected may induce DTCs in electrical control units using CAN communication. After the inspection, clear all DTCs. Refer to [LAN-4, "SYSTEM DESCRIPTION"](#).

OK or NG

- OK >> Go to [BRC-30, "ABS Works Frequently"](#).
- NG >> Perform Basic Inspection. Refer to [BRC-17, "Basic Inspection"](#).

**ABS Does Not Work****CAUTION:**

The ABS does not operate when the vehicle speed is 10 km/h (6 MPH) or less.

**1. CHECK WARNING LAMP ACTIVATION**

Turn ignition switch ON and check for warning lamp activation.

- Warning lamp should activate for approximately 2 seconds after turning the ignition switch ON.

OK or NG

- OK >> Carry out self-diagnosis. Refer to [BRC-20, "SELF-DIAGNOSIS"](#).
- NG >> Go to [BRC-17, "ABS WARNING LAMP INSPECTION"](#).

**Pedal Vibration or ABS Operation Noise****NOTE:**

During ABS activation, pedal vibration may be felt and a noise may be heard. This is normal and does not indicate a malfunction.

**1. CHECK SYMPTOM**

1. Apply brake.
2. Start engine.

Does the symptom occur only when engine is started?

- YES >> Carry out self-diagnosis. Refer to [BRC-20, "SELF-DIAGNOSIS"](#).
- NO >> GO TO 2.

**2. RECHECK SYMPTOM**

Does the symptom occur only when electrical equipment switches (such as headlamps) are turned on?

- YES >> Check for radio, antenna or related wiring that is routed too close to the ABS actuator and electric unit (control unit) and reroute as necessary.
- NO >> Go to [BRC-30, "ABS Works Frequently"](#).

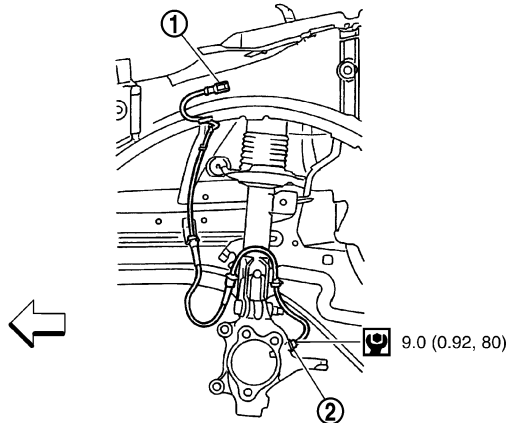


## WHEEL SENSORS

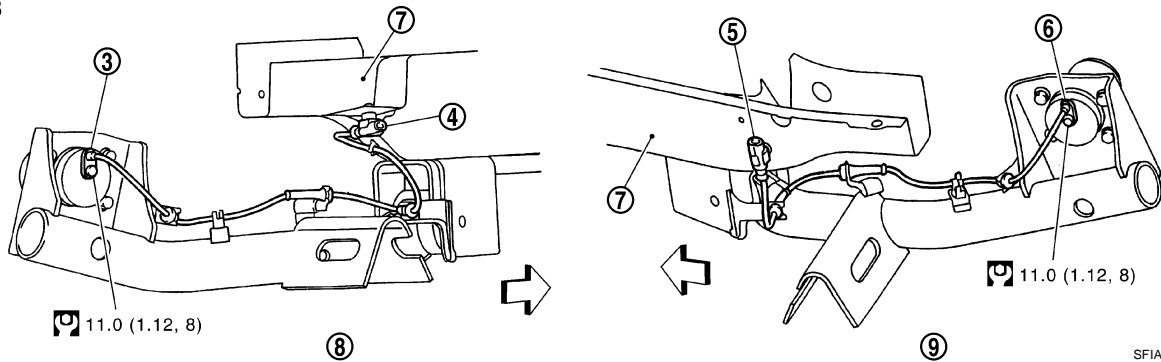
### Removal and Installation

SEC.476

A



B



A. Front

2. Front wheel sensor (LH)

5. Rear wheel sensor connector (RH)

8. Left

B. Rear

3. Rear wheel sensor (LH)

6. Rear wheel sensor (RH)

9. Right

1. Front wheel sensor connector (LH)

4. Rear wheel sensor connector (LH)

7. Side member

← : Front

Refer to GI section for symbol marks in the figure.

#### NOTE:

The top portion of the figure (front side) shows view from LH side of vehicle. RH side is the mirror image.

#### REMOVAL

Pay attention to the following when removing wheel sensor.

#### CAUTION:

- As much as possible, avoid rotating wheel sensor when removing it. Pull wheel sensors out without pulling on sensor harness.
- Take care to avoid damaging wheel sensor edges or rotor teeth. Remove wheel sensor first before removing front or rear wheel hub. This is to avoid damage to wheel sensor wiring and loss of sensor function.

#### INSTALLATION

Pay attention to the following when installing wheel sensor. Tighten installation bolts and nuts to the specified torques.

- When installing, make sure there is no foreign material such as iron chips on and in the mounting hole of the wheel sensor. Make sure no foreign material has been caught in the sensor rotor. Remove any foreign material and clean the mount.
- When installing front wheel sensor, press rubber grommets of strut bracket and body all the way in until they get locked, and be careful not to apply a twist to harness. Harness should not be twisted after installation. (Install it with harness paint mark on body side grommet facing front of vehicle, and the strut side grommet facing outside of vehicle.)

## WHEEL SENSORS

[ABS]

---

- When installing rear wheel sensor, press rubber grommets of suspension arm bracket and harness of side member all the way in until they get locked, and be careful not to apply a twist to harness. Harness should not be twisted after installation. (Aim the paint mark upward of vehicle.)

# SENSOR ROTOR

[ABS]

## SENSOR ROTOR

PFP:47970

### Removal and Installation

EFS006L5

Sensor rotor cannot be disassembled. To replace sensor rotor, replace hub bearing assembly. Refer to [FAX-5, "FRONT WHEEL HUB AND KNUCKLE"](#) in "FAX" section, refer to [RAX-4, "WHEEL HUB"](#) in "RAX" section.

A  
B  
C  
D  
E  
G  
H  
I  
J  
K  
L  
M

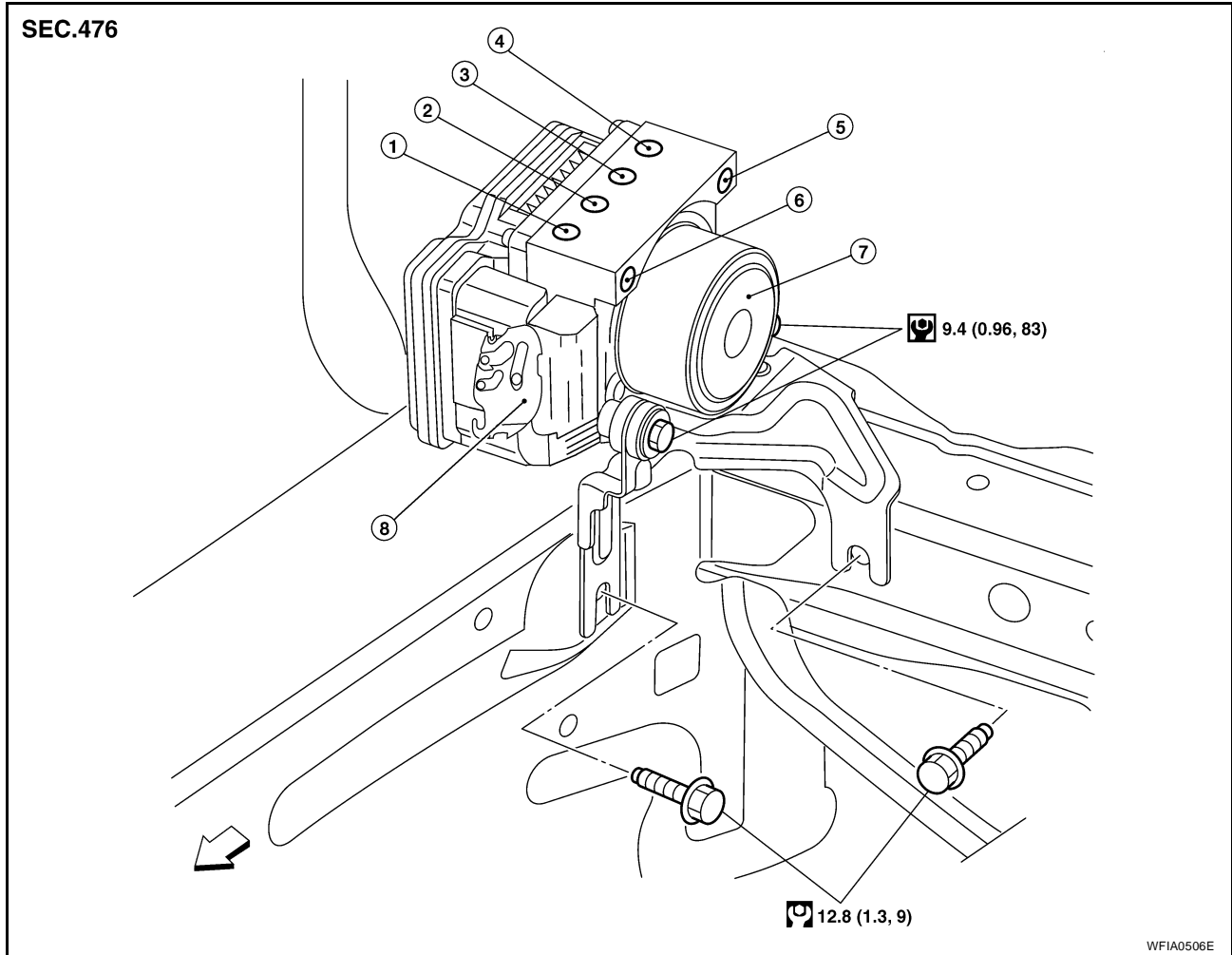
**BRC**

## ACTUATOR AND ELECTRIC UNIT (ASSEMBLY)

PFP:47660

### Removal and Installation

EFS006L6



- |  |                                      |  |
|--|--------------------------------------|--|
| 1. To front right                                | 2. To rear left                      | 3. To rear right                       |
| 4. To front left                                 | 5. From master cylinder primary side | 6. From master cylinder secondary side |
| 7. ABS actuator and electric unit (control unit) | 8. Harness connector                 | ↔ : Front                              |

Refer to GI section for symbol marks in the figure.

#### CAUTION:

- Before servicing, disconnect battery cables.
- To remove brake tube, use flare nut wrench to prevent flare nuts and brake tube from being damaged. To install, use flare nut torque wrench, tighten flare nut to the specified torque. Refer to [BR-11. "Hydraulic Circuit"](#) .
- Do not apply excessive impact to ABS actuator and electric unit (control unit), such as dropping it.
- Do not remove and install actuator by holding harness.
- After work is completed, bleed air from brake tube and hose. Refer to [BR-10. "Bleeding Brake System"](#) .

#### REMOVAL

1. Disconnect ABS actuator and electric unit (control unit) connector.
2. Loosen brake tube flare nuts, then remove brake tubes from ABS actuator and electric unit (control unit).
3. Remove brake booster hose from engine. Refer to [BR-22. "Removal and Installation"](#) .
4. Remove ABS actuator and electric unit (control unit) bracket mounting bolts.
5. Remove ABS actuator and electric unit (control unit) from vehicle.

# ACTUATOR AND ELECTRIC UNIT (ASSEMBLY)

[ABS]

---

## INSTALLATION

Installation is the reverse order of removal.

**CAUTION:**

After installing harness connector in the ABS actuator and electric unit (control unit), make sure connector is securely locked.

A

B

C

D

E

**BRC**

G

H

I

J

K

L

M

# ACTUATOR AND ELECTRIC UNIT (ASSEMBLY)

[ABS]

---